



15-03-00-01

**ACCESSORIES TECHNICAL BULLETIN- BLUETOOTH
CONTINENTAL GT / GTC AND CONTINENTAL FLYING SPUR**

Applicability:

Model & MY applicability GT / GTC / Continental Flying Spur up to and including MY2007:

JNV035394

Fitting Time:

25 time units GT / Continental Flying Spur

100 time units GTC

Market Region:

Please Refer to ETKA

Introduction:

The procedure below advises the remove and fit of associated parts.

Care Points:

- *Please ensure that the car is protected, internally and externally, using suitable protective covers.*
- *Within these procedures are single use items. Please ensure that replacement items are available prior to starting work.*



15-03-00-01

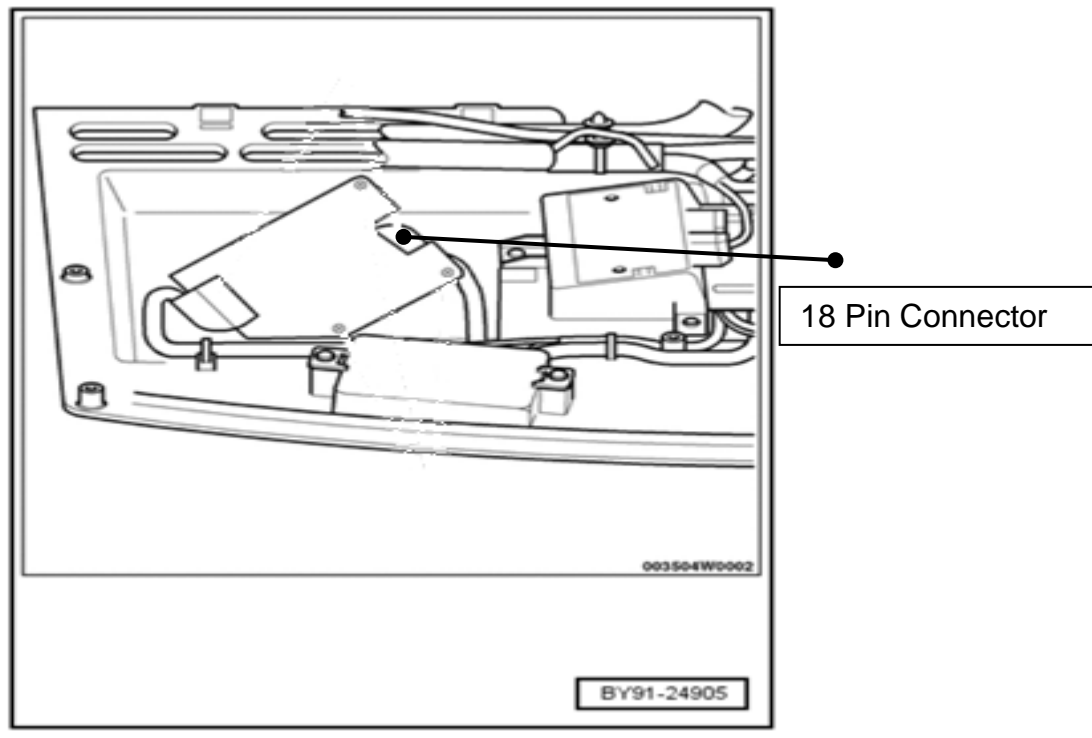
**ACCESSORIES TECHNICAL BULLETIN- BLUETOOTH
CONTINENTAL GT / GTC AND CONTINENTAL FLYING SPUR**

Remove and Fit Procedure:

Remove and fit necessary parts –The correct procedure can be viewed in the workshop manual located in ELSAPRO.

Continental GT / Flying Spur

1. Remove inner parcel shelf. Refer to Body >> 70 Trim, Noise Insulation >> Control module (CM) tray (parcel shelf) - To remove and fit.
2. Remove telephone control module. Refer to Vehicle Electrics >> 91Infotainment >> Telephone control module - To remove and fit.



3. Replace unit with NEW Bluetooth module insert the 18 pin connector into the unit and tape back the loose pin connector
4. Install new Bluetooth unit using the existing screws.

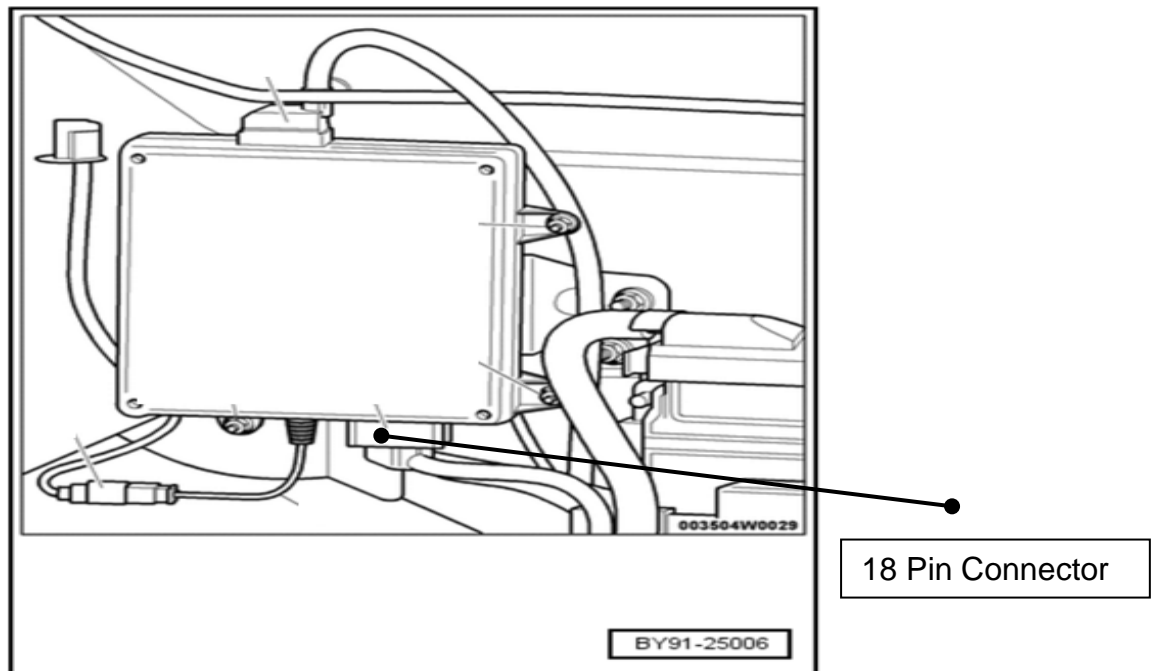
Continental GTC



15-03-00-01

**ACCESSORIES TECHNICAL BULLETIN- BLUETOOTH
CONTINENTAL GT / GTC AND CONTINENTAL FLYING SPUR**

5. Remove rear seat cushion. Refer to Body >> Information Body >> 72 seat Frame>> Rear seat>> Rear seat cushion - To remove and fit.
6. Remove rear seat squab. Refer to Body >> Information Body >> 72 seat Frame>> Rear seat>> Rear seat squab - To remove and fit.
7. Remove side panel. Refer to Body >> Information Body >> 70 Trim, noise insulation>> Boot trim>> Luggage compartment side carpet panels - To remove and fit.
8. Remove telephone control module. Refer to Vehicle Electrics >> 91Infotainment >> Telephone System>> RSAP telephone control module (J526) - To remove and fit.



9. Replace unit with NEW Bluetooth module insert the 18 pin connector into the unit and tape back the loose pin connector
10. Install new Bluetooth unit using the existing screws.



15-03-00-01

**ACCESSORIES TECHNICAL BULLETIN- BLUETOOTH
CONTINENTAL GT / GTC AND CONTINENTAL FLYING SPUR**

Parts Information:

New Part Number	Description	Quantity
JNV035394	BLUETOOTH HFP KIT	1

Bentley Bulletins are intended for use by experienced and trained technicians. If you lack the skills, tools, equipment and a suitable workshop for any procedure described in this document, we suggest you leave such repairs to an Authorised Bentley Dealer or other qualified workshop. See your Bentley Dealer for advice on whether your vehicle may benefit from the information contained within this document.

The information contained in this Bulletin is accurate at the date of publication. However, Bentley Motors regularly updates technical information. Please check with your Bentley Dealer that the Bulletin you intend to use contains the latest available information.

© Bentley Motors Limited. All Rights Reserved